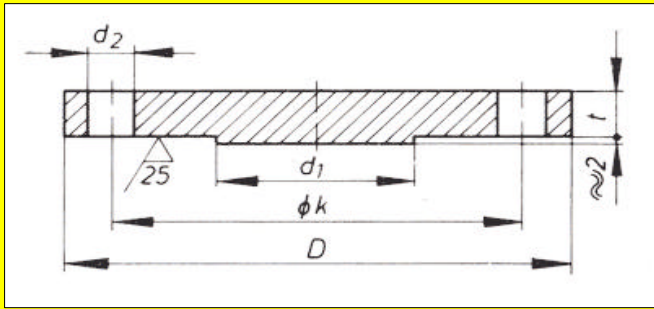


**Hypshin Flanges: Technical Data Chart  
Norwegian Standard (NS) Blind Flanges**



<b>Blind flange NS2545 PN10</b>								
DN	flange				Bolts			weight kg/ea
	Dia. D mm	t mm	d1 mm	k mm	no.	size	d2 mm	
200	340	24	190	295	8	M 20	22	17
250	395	26	235	350	12	M 20	22	24.5
300	445	26	285	400	12	M 20	22	31.8
350	506	26	330	460	16	M20	22	41
400	565	26	380	515	16	M24	26	51.2
450	615	28	425	565	20	M24	26	65.2
500	670	28	475	620	20	M24	26	78
600	780	32	580	725	20	M27	30	121
700	895	36	680	840	24	M27	30	179
800	1015	40	785	950	24	M27	30	255

For ND15-175 see NS2546

Jinan Hypshin Flanges Co., Ltd - Chinese Flanges Manufacturer - sale@hypshin.cn

<b>Blind flange NS2546 PN16</b>								
DN	flange				BoltshhhH			weight kg/ea
	Dia. D mm	t mm	d1 mm	k mm	no.	size	d2 mm	
15	95	14	-	65	4	M 12	14	0.72
20	105	16	-	75	4	M 12	14	1.01
25	115	16	-	85	4	M 12	14	1.23
32	140	16	-	100	4	M 16	18	1.8
40	150	16	-	110	4	M 16	18	2.09
50	165	18	-	125	4	M 16	18	2.88
65	185	18	55	145	4	M 16	18	3.66
80	200	20	70	160	8	M 16	18	4.77
100	220	20	90	180	8	M 16	18	5.65
125	250	22	115	210	8	M 16	18	8.42
150	285	22	140	240	8	M 20	22	10.4
200	340	24	165	295	12	M 20	22	16.1
250	405	26	190	355	12	M 24	26	24.9
300	460	28	235	410	12	M 24	26	35.1
350	520	30	285	470	16	M24	26	47.8
400	580	32	330	525	16	M27	30	63.5
450	640	34	380	585	20	M27	30	84.2
500	715	36	425	650	20	M30	33	102

Jinan Hypshin Flanges Co., Ltd - Chinese Flanges Manufacturer - sale@hypshin.cn

<b>Blind flange NS2547 PN40</b>								
DN	flange				Bolts			weight kg/ea
	Dia. D mm	t mm	d1 mm	k mm	no.	size	d2 mm	
15	95	16	-	65	4	M 12	14	0.81
20	105	18	-	75	4	M 12	14	1.24
25	115	18	-	85	4	M 12	14	1.38
32	140	18	-	100	4	M 16	18	2.03
40	150	18	-	110	4	M 16	18	2.35
50	165	20	-	125	4	M 16	18	3.2
65	185	22	55	145	8	M 16	18	4.29
80	200	24	70	160	8	M 16	18	5.88
100	235	24	90	190	8	M 16	18	7.54
125	270	26	115	220	8	M 16	18	10.8
150	300	28	140	250	8	M 24	26	14.5
200	375	34	190	320	12	M 27	30	27.2
250	450	38	235	385	12	M 30	30	43.8
300	515	42	285	450	16	M 30	30	63.3
350	580	46	330	510	16	M33	36	89.5
400	660	50	380	585	16	M36	39	127
450	685	54	430	610	20	M36	39	151
500	755	56	475	670	20	M39	42	172

Jinan Hypshin Flanges Co., Ltd - Chinese Flanges Manufacturer