

## Skottflens, dobbel, PN 40 NS 2542. Kvalitet RSt 37.2

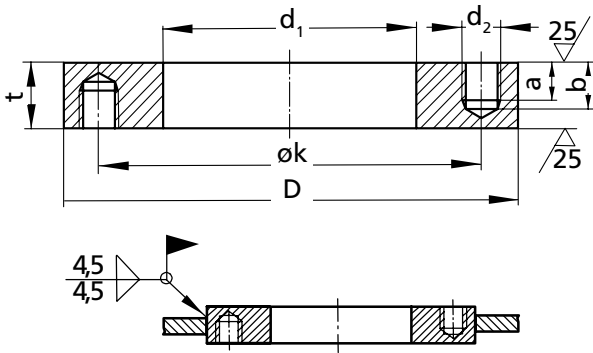
Materialsertifikat: EN10204/2.2

## Set-in flange, PN 40 NS 2542. Material RSt 37-2

Material certificate: EN10204/2.2

## Flansa de trecere PN 40

>]bUb' <mi dg\ ]b': `Ub[ Yg'7 c'ž @X



DN	Flens/Flange				Gjengehull/Thread hole				kg stk ea.	NRF nr. Part no.
	D	d1	k	t	Ant. Numb.	Gjenger Threads d2	a	b		
15	95	15	65	33	2 x 4	M12	14	20	1,70	125 69 19
20	105	20	75	33	2 x 4	M12	14	20	2,07	125 69 24
25	115	25	85	33	2 x 4	M12	14	20	2,47	125 69 29
32	140	32	100	33	2 x 4	M16	19	25	3,50	125 69 34
40	150	43	110	33	2 x 4	M16	19	25	3,93	125 69 39
50	165	55	125	33	2 x 4	M16	19	25	4,64	125 69 44
65	185	70	145	33	2 x 8	M16	19	25	5,40	125 69 49
80	200	82	160	33	2 x 8	M16	19	25	6,21	125 69 54
100	235	107	190	38	2 x 8	M20	23	29	9,19	125 69 59
125	270	132	220	44	2 x 8	M24	28	34	13,20	125 69 64
150	300	160	250	44	2 x 8	M24	28	34	15,60	125 69 69
200	375	210	320	49	2 x 12	M27	31	39	25,10	125 69 79
250	450	260	385	55	2 x 12	M30	34	43	40,10	

BRØDRENE DAHL AS